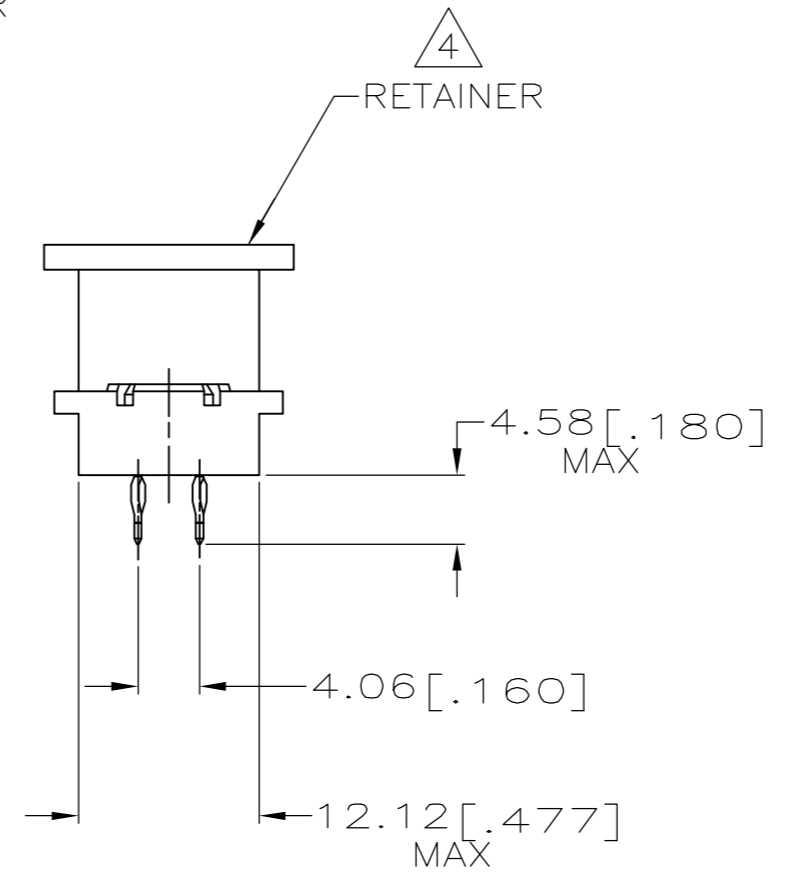
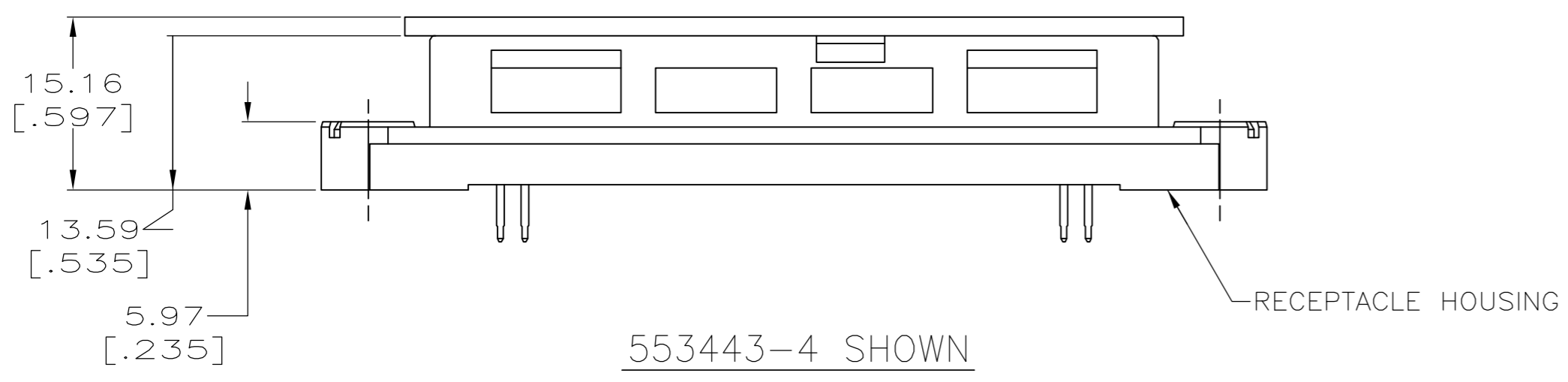
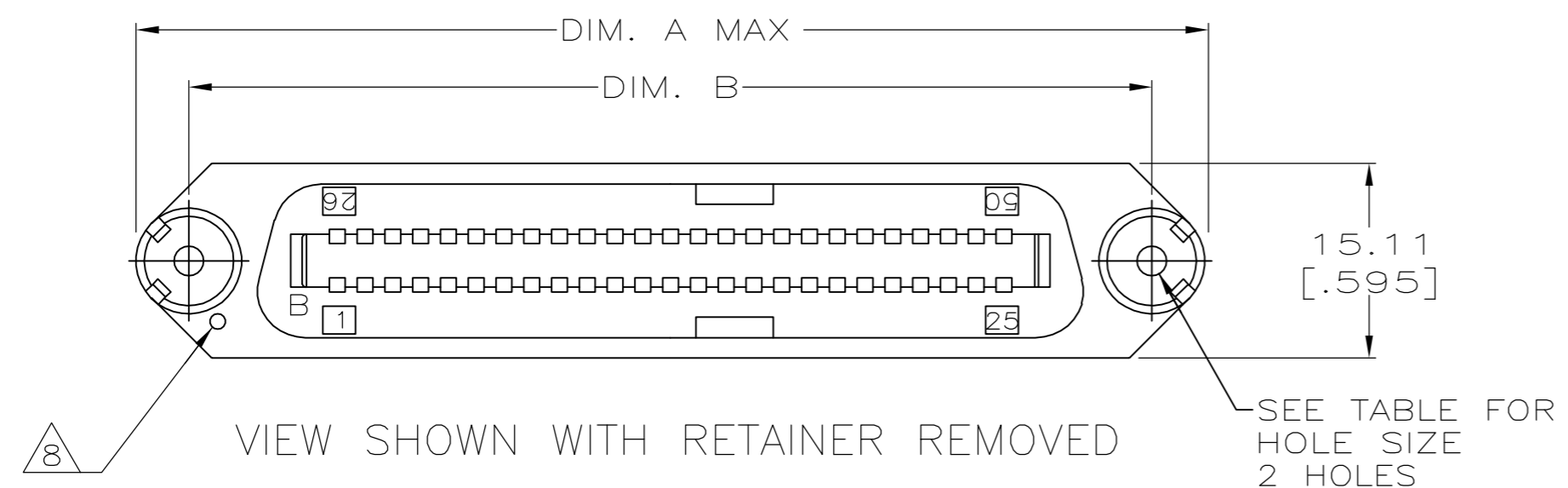
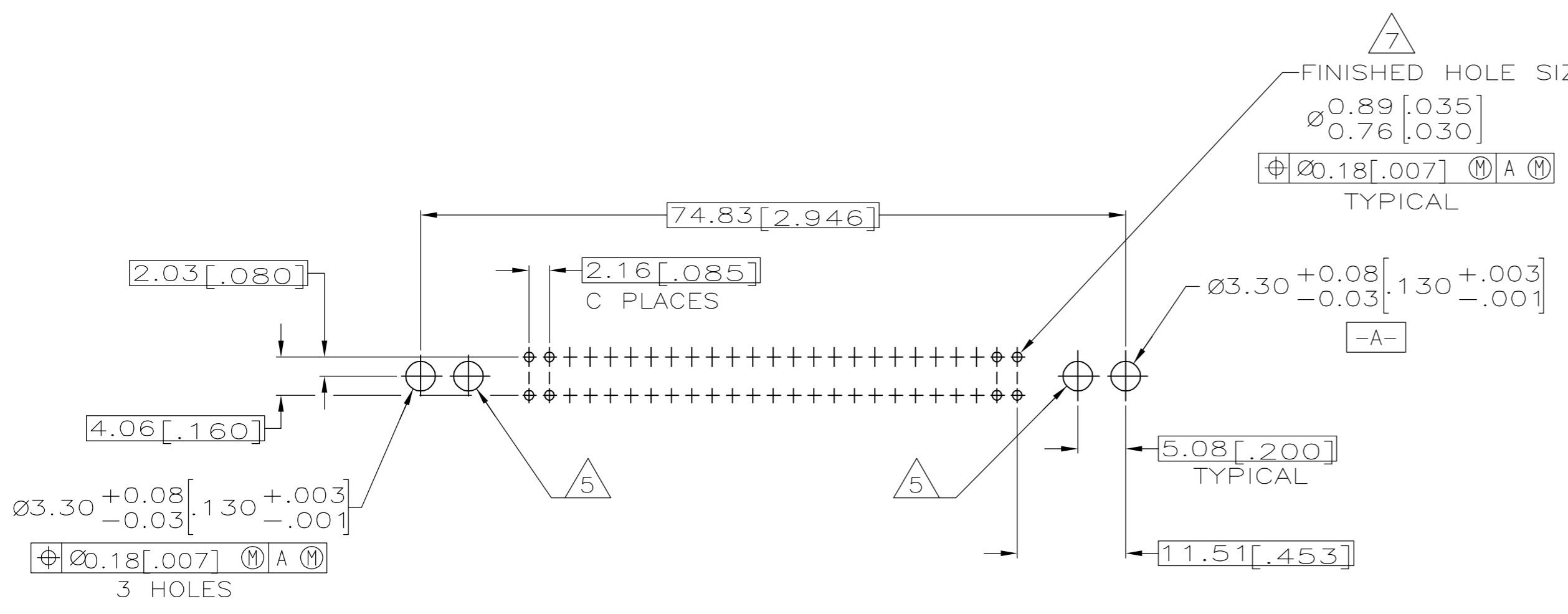


THIS DRAWING IS UNPUBLISHED. RELEASED FOR PUBLICATION  
 © COPYRIGHT BY TYCO ELECTRONICS CORPORATION. ALL RIGHTS RESERVED.

LOC		DIST		REVISIONS			
P	LTR	DESCRIPTION		DATE	DWN	APVD	
AA	20	N		REVISED PER ECN-0513-0617-04	27MAR07	JDP	WM



- 1 MATERIAL: HOUSING - POLYESTER MOLDING COMPOUND BLACK.  
 TERMINAL - COPPER ALLOY PLATED WITH 0.76µm [.000030] MINIMUM THICK GOLD ON MATING SURFACE AND 0.13µm [.000005] MINIMUM THICK GOLD ON ACTION PIN AREA OVER 1.27µm [.000050] MINIMUM THICK NICKEL UNDERPLATE OVER ENTIRE TERMINAL.  
 RETAINER - POLYETHYLENE, NATURAL.  
 EXCEPTION: 553443-8 PLATED WITH MATTE TIN-LEAD, 93-7%, 2.54µm-4.57µm [.000100-.000180] THICK ON ACTION PIN AREA.
- 2. THE CONTACT SURFACES OF THE TERMINALS ARE COATED WITH LUBRICANT.
- 3 ALL DIMENSIONS SHOWN ARE FOR REFERENCE ONLY UNLESS OTHERWISE SPECIFIED.
- 4 RETAINER MUST REMAIN INSTALLED UNTIL AFTER CONNECTOR HAS BEEN INSERTED INTO PCB HOLES.
- 5 OPTIONAL MOUNTING HOLE FOR SELF-TAPPING SCREW.
- 6. CENTER-TO-CENTER SPACING OF TERMINALS IS 2.16 [.085] NOMINAL.
- 7 ALL PLATED-THRU HOLES SHALL BE PER AMP SPEC 115-6072.
- 8 THRU HOLE ON HOUSING FLANGE INDICATES POSITION 1 LOCATION.
- 9 OBSOLETE



PRINTED CIRCUIT BOARD MOUNTING DIMENSIONS

	SIZE	PLC	DIM. B	DIM. A	POSITION	PART NUMBER
31	4-40 UNC-2B	89.97[3.542]	98.43[3.875]	64	553443-8	
24	.125 DIA	74.83[2.946]	83.31[3.280]	50	553443-6	
31	4-40 UNC-2B	89.97[3.542]	98.43[3.875]	64	553443-5	
24	4-40 UNC-2B	74.83[2.946]	83.31[3.280]	50	553443-4	
17	4-40 UNC-2B	59.74[2.352]	68.20[2.685]	36	553443-3	
11	4-40 UNC-2B	46.79[1.842]	55.25[2.175]	24	553443-2	
6	4-40 UNC-2B	35.97[1.416]	44.45[1.750]	14	553443-1	
C	HOLE SIZE	DIM. B	DIM. A	POSITION	PART NUMBER	

THIS DRAWING IS A CONTROLLED DOCUMENT.

DWN DL DRUMMOND 18 JUN 99	Tyco Electronics Corporation Harrisburg, PA 17105-3608
CHK EW BEILES 21 JUN 99	
APVD EW BEILES 21 JUN 99	
PRODUCT SPEC	
APPLICATION SPEC	NAME RECEPTACLE ASSEMBLY, ACTION PIN, CHAMP-LOK
MATERIAL	SIZE A2 CAGE CODE 00779 DRAWING NO C=553443 RESTRICTED TO
FINISH	WEIGHT - SCALE 2:1 SHEET 1 of 1 REV N
CUSTOMER DRAWING	